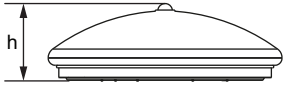
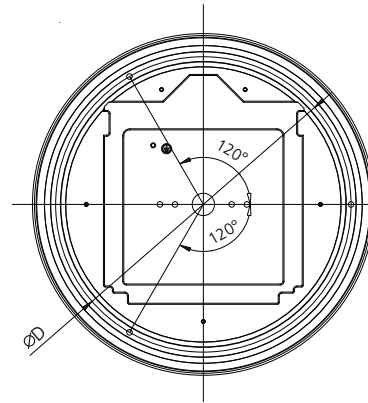


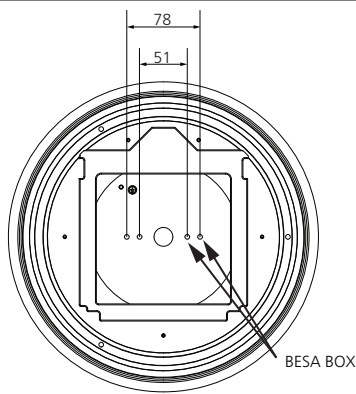
d = 330mm 18W
d = 360mm 24W



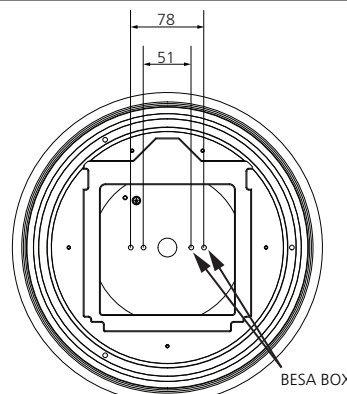
h = 108mm 18W
h = 112mm 24W



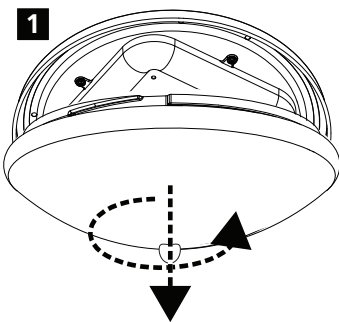
D = 265 mm 18W
D = 265 mm 24W



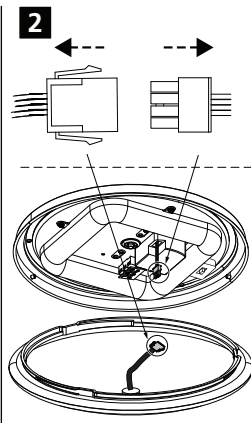
18W



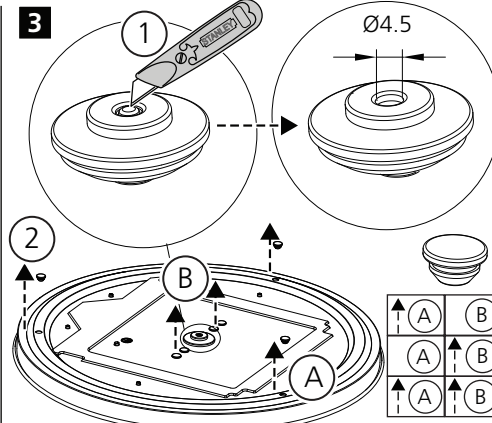
24W



1

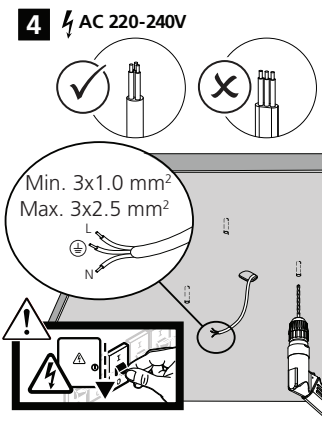


2



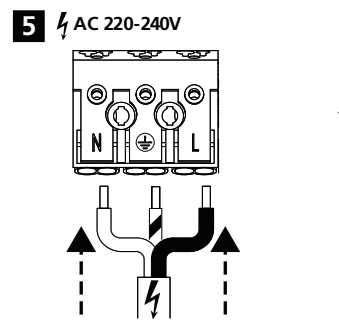
3

↑	A	B	✓
↑	A	B	✓
↑	A	B	x

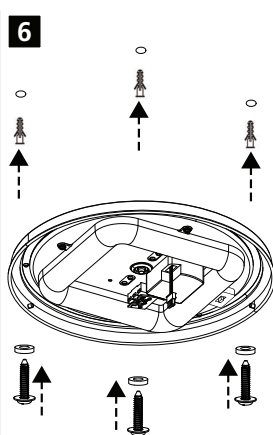


4 ⚡ AC 220-240V

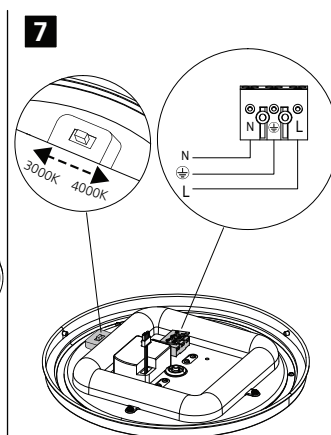
Min. 3x1.0 mm²
Max. 3x2.5 mm²



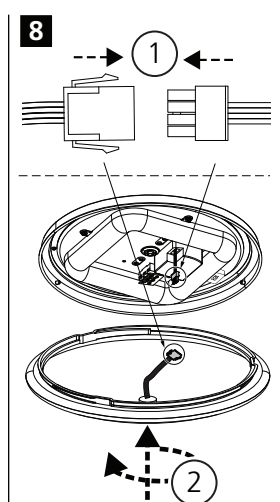
5 ⚡ AC 220-240V



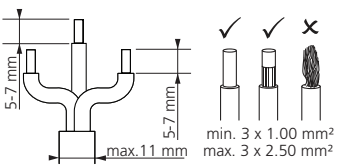
6



7



8



min. 3 x 1.00 mm²
max. 3 x 2.50 mm²

	18W (pcs)	24W (pcs)
10A C-type	15	15
16A C-type	24	24

